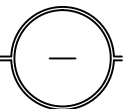


SECTION DETAIL



PROJECT NO. FUSION PROJECT NAME: FUSION PANEL SYSTEM

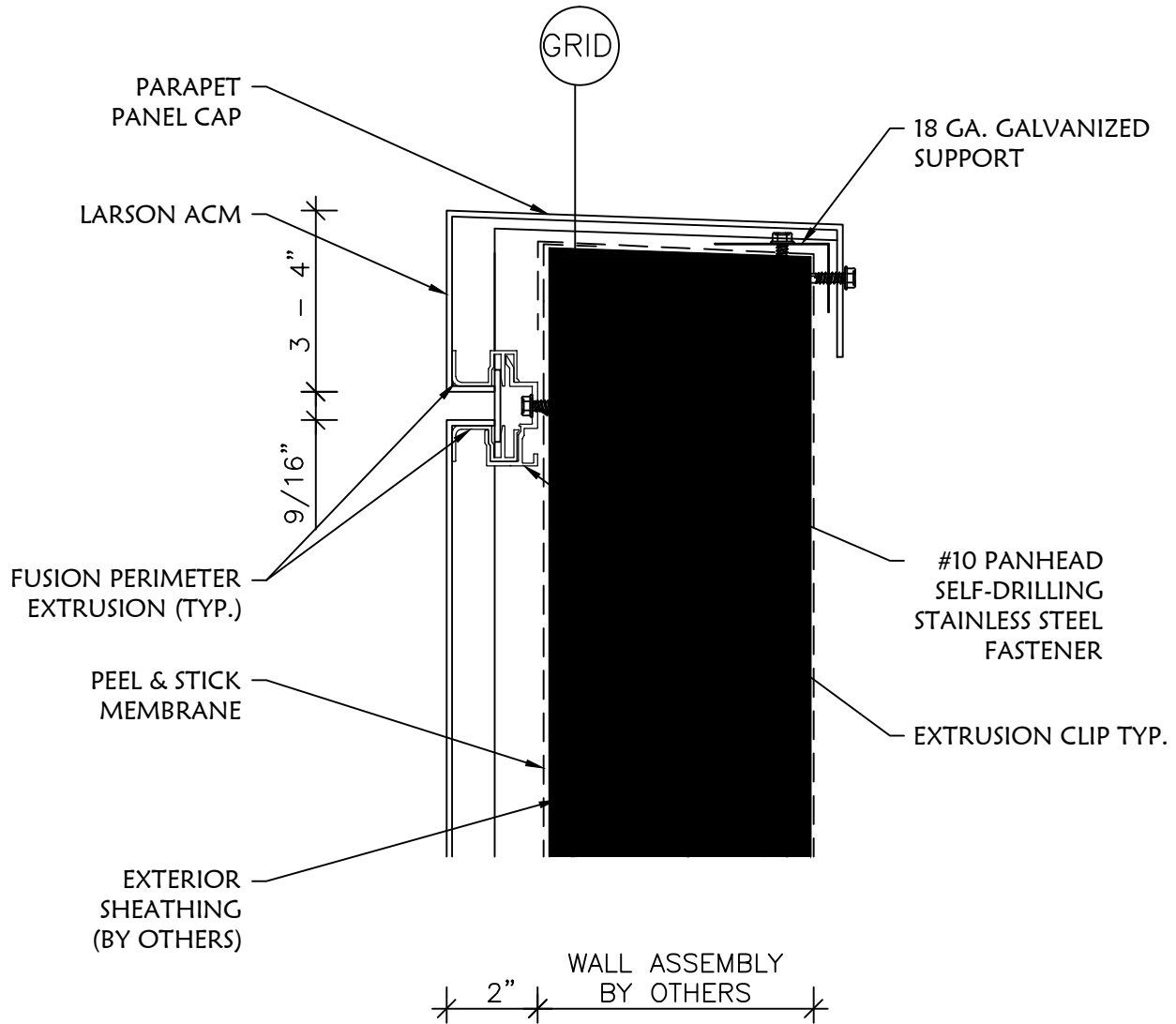
DRAWN BY: ADG DWG TITLE: PARAPET CAP DETAIL OPTION 1

PAGE NO: REV: 0

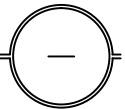
CUSTOMER:

DATE: - 22/01/2016

CF-F01



SECTION DETAIL



PROJECT NO. **FUSION** PROJECT NAME: **FUSION PANEL SYSTEM**

DRAWN BY: **ADG**

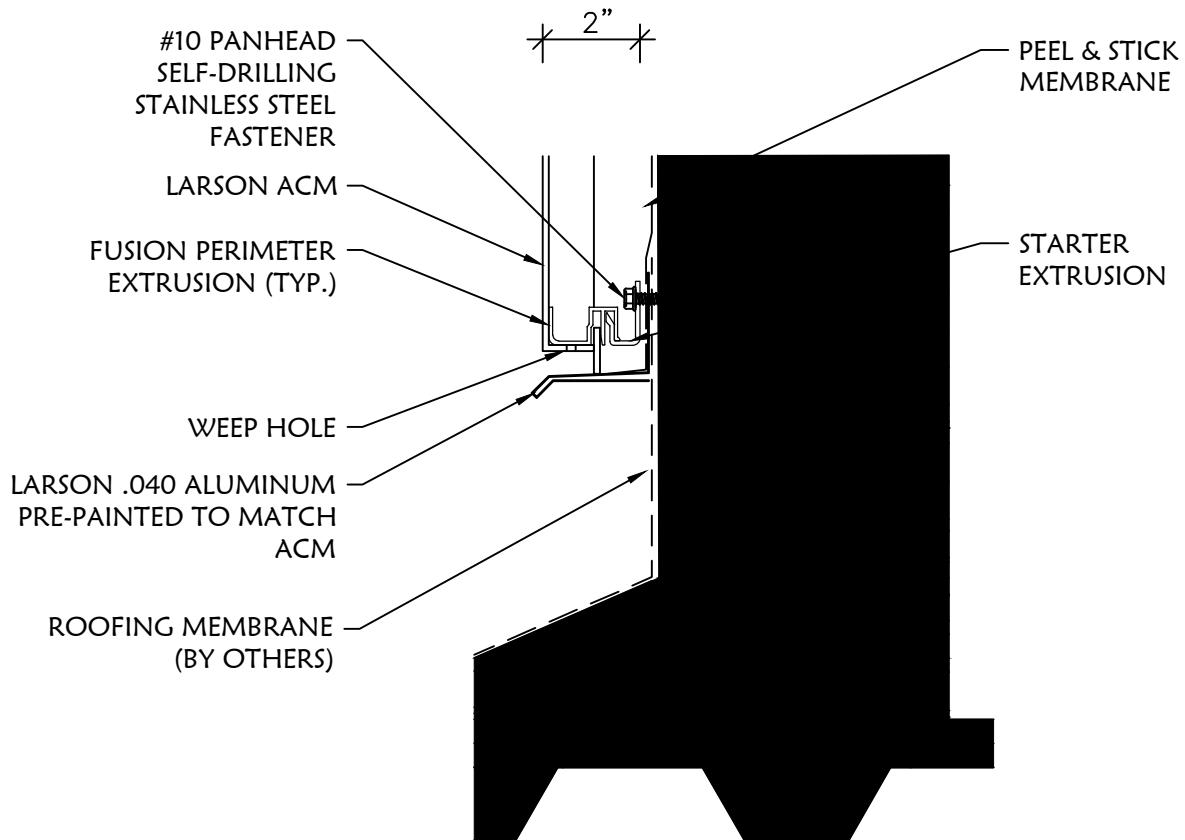
DWG TITLE: **PARAPET CAP DETAIL OPTION 2**

PAGE NO: REV: **0**

CUSTOMER:

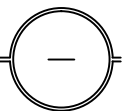
DATE: - 22/01/2016

CF-F02



WALL ASSEMBLY
BY OTHERS

SECTION DETAIL



PROJECT NO. FUSION PROJECT NAME: FUSION PANEL SYSTEM

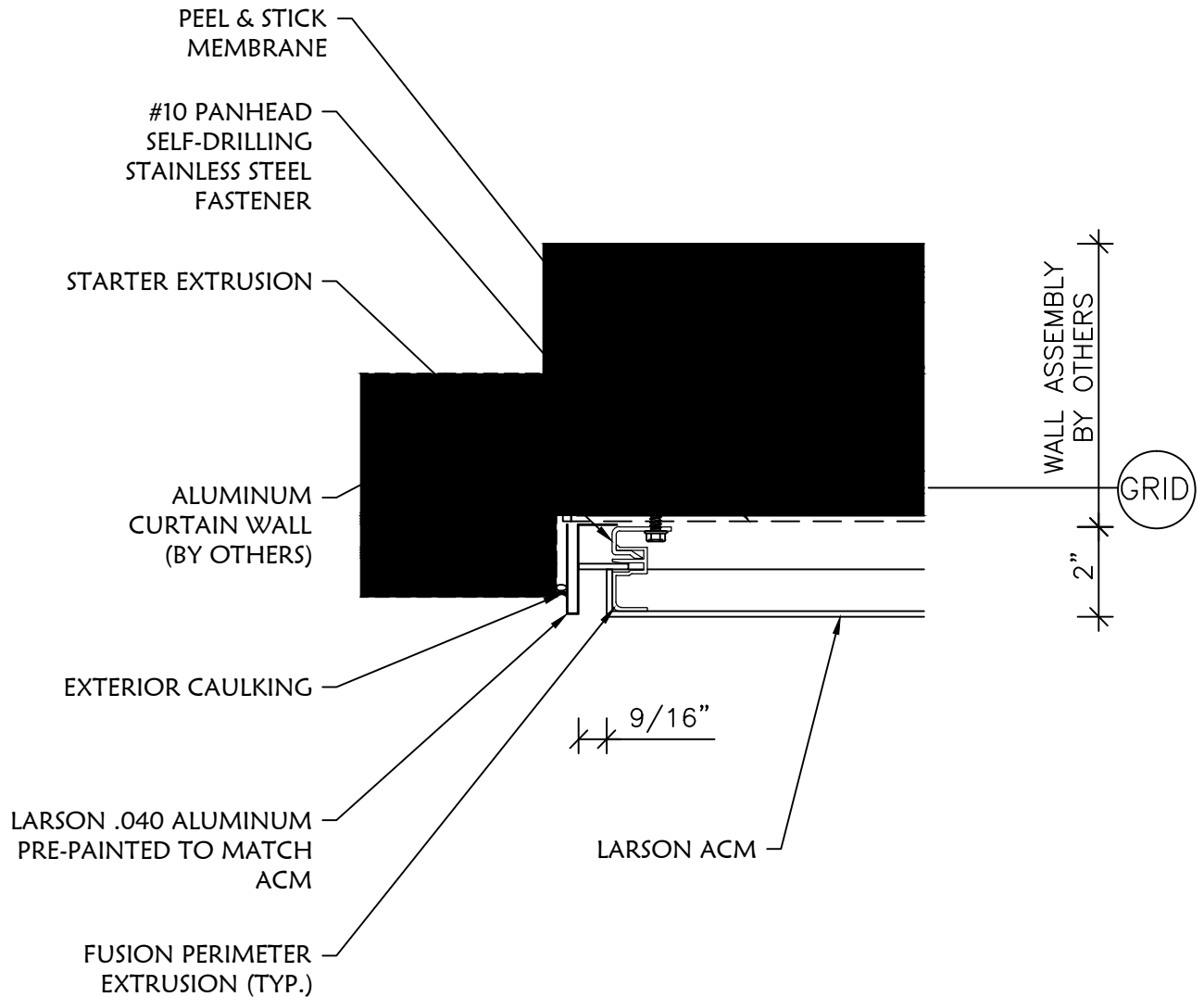
DRAWN BY: ADG DWG TITLE: BASE DETAIL - ROOF / WALL TRANSITION

PAGE NO: REV: 0

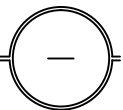
CUSTOMER:

DATE: - 22/01/2016

CF-F03



PLAN DETAIL



PROJECT NO. FUSION PROJECT NAME: FUSION PANEL SYSTEM

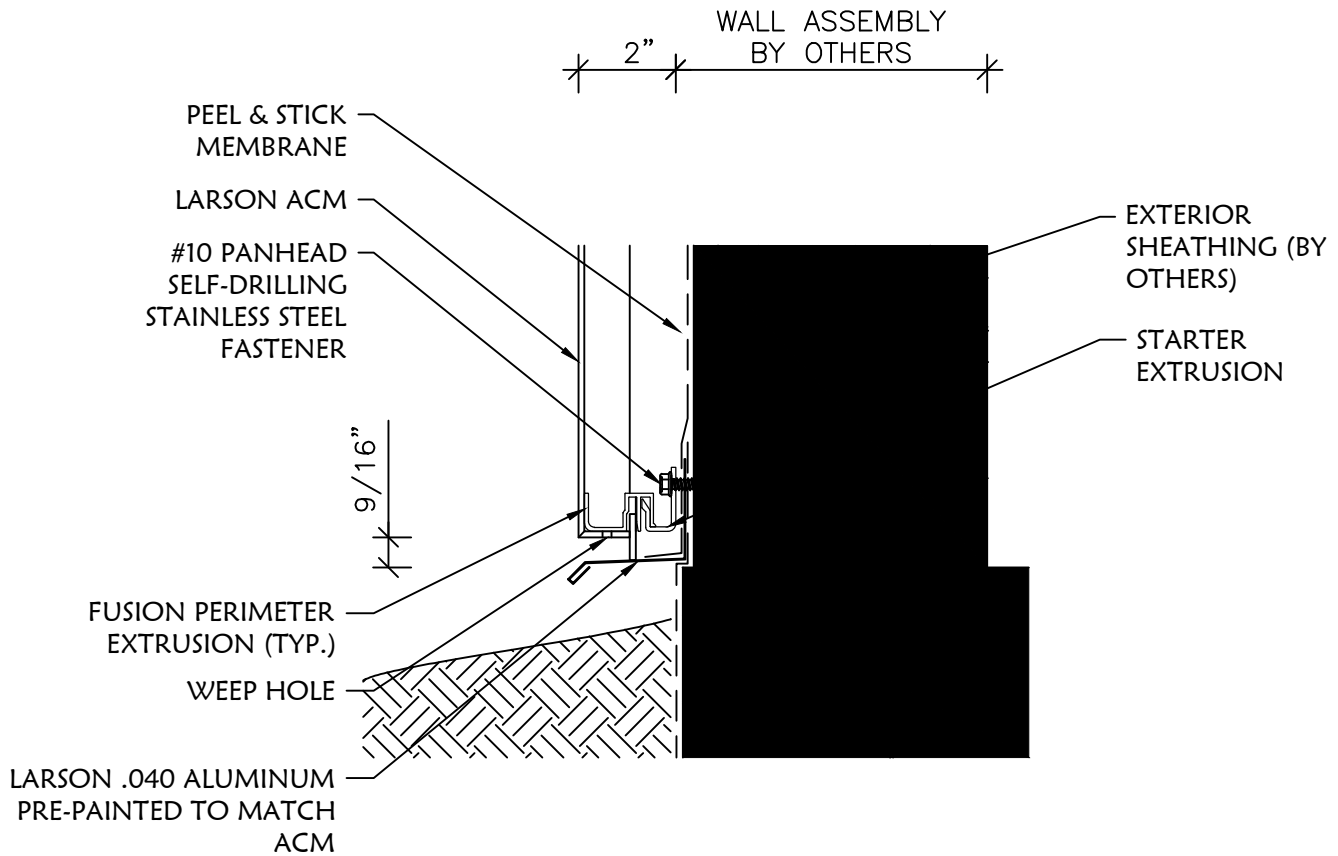
DRAWN BY: ADG DWG TITLE: JAMB DETAIL

PAGE NO: REV: 0

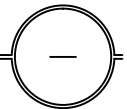
CUSTOMER:

DATE: - 22/01/2016

CF-F04



SECTION DETAIL



PROJECT NO. FUSION PROJECT NAME: FUSION PANEL SYSTEM

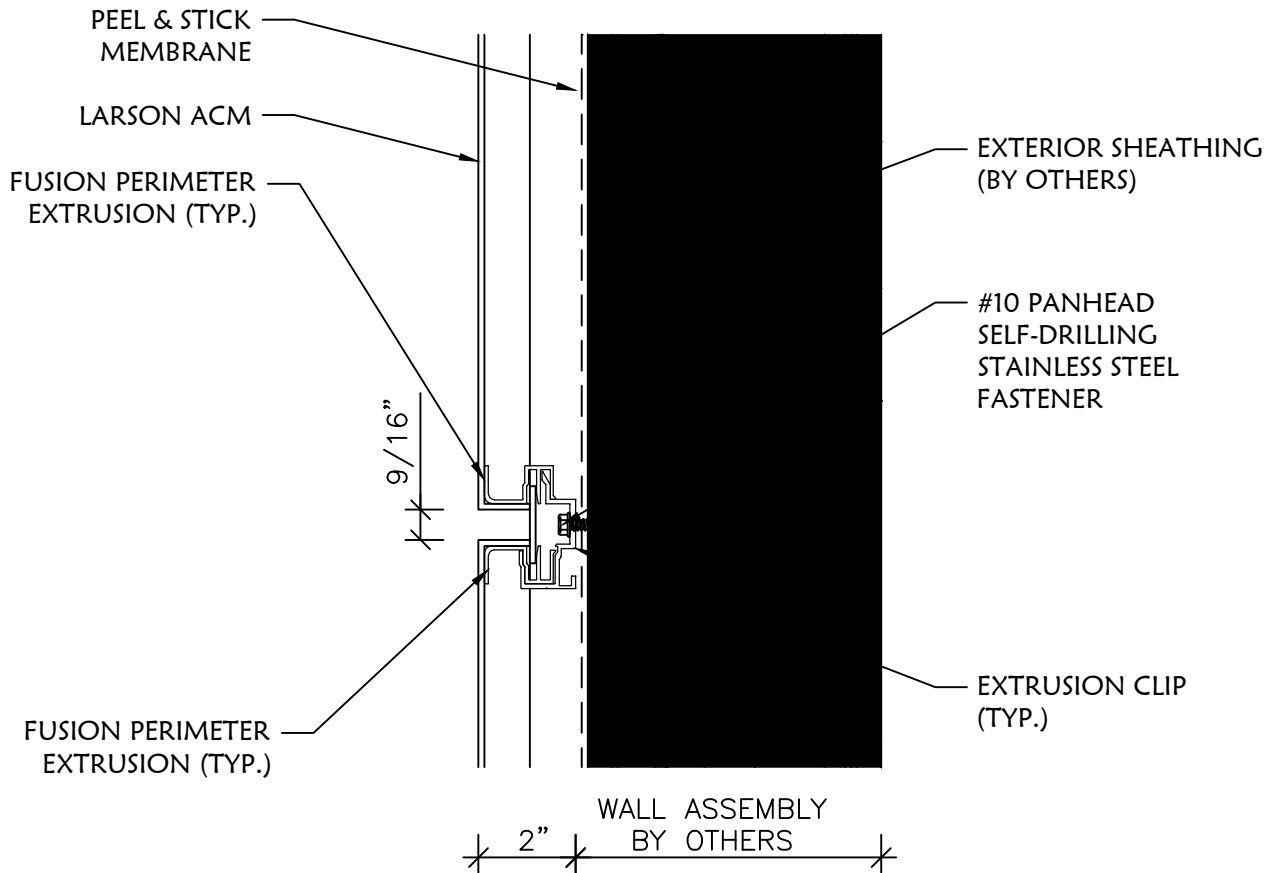
DRAWN BY: ADG DWG TITLE: SECTION BASE DETAIL

PAGE NO: REV: 0

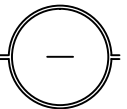
CUSTOMER:

DATE: - 22/01/2016

CF-F05



SECTION DETAIL



PROJECT NO. FUSION PROJECT NAME: FUSION PANEL SYSTEM

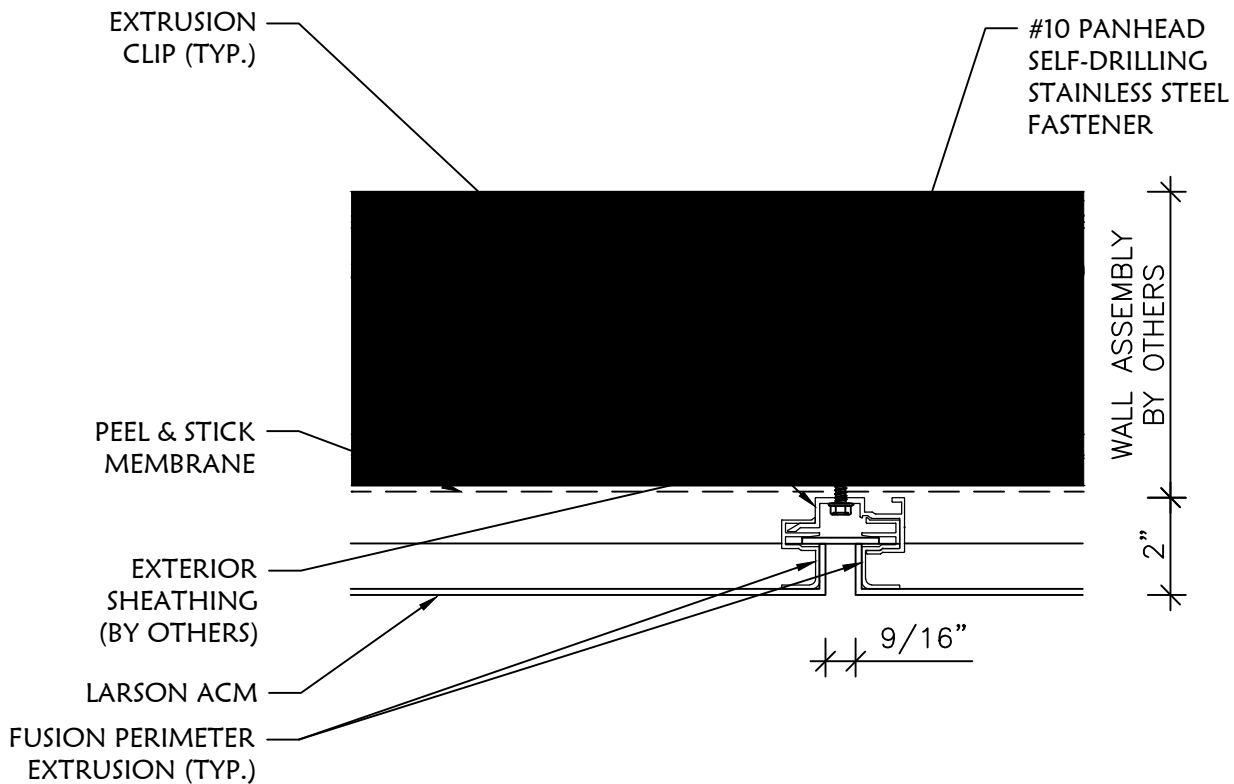
DRAWN BY: ADG DWG TITLE: HORIZONTAL JOINT DETAIL

PAGE NO: REV: 0

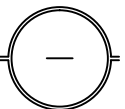
CUSTOMER:

DATE: - 22/01/2016

CF-F06



PLAN DETAIL



PROJECT NO. FUSION PROJECT NAME: FUSION PANEL SYSTEM

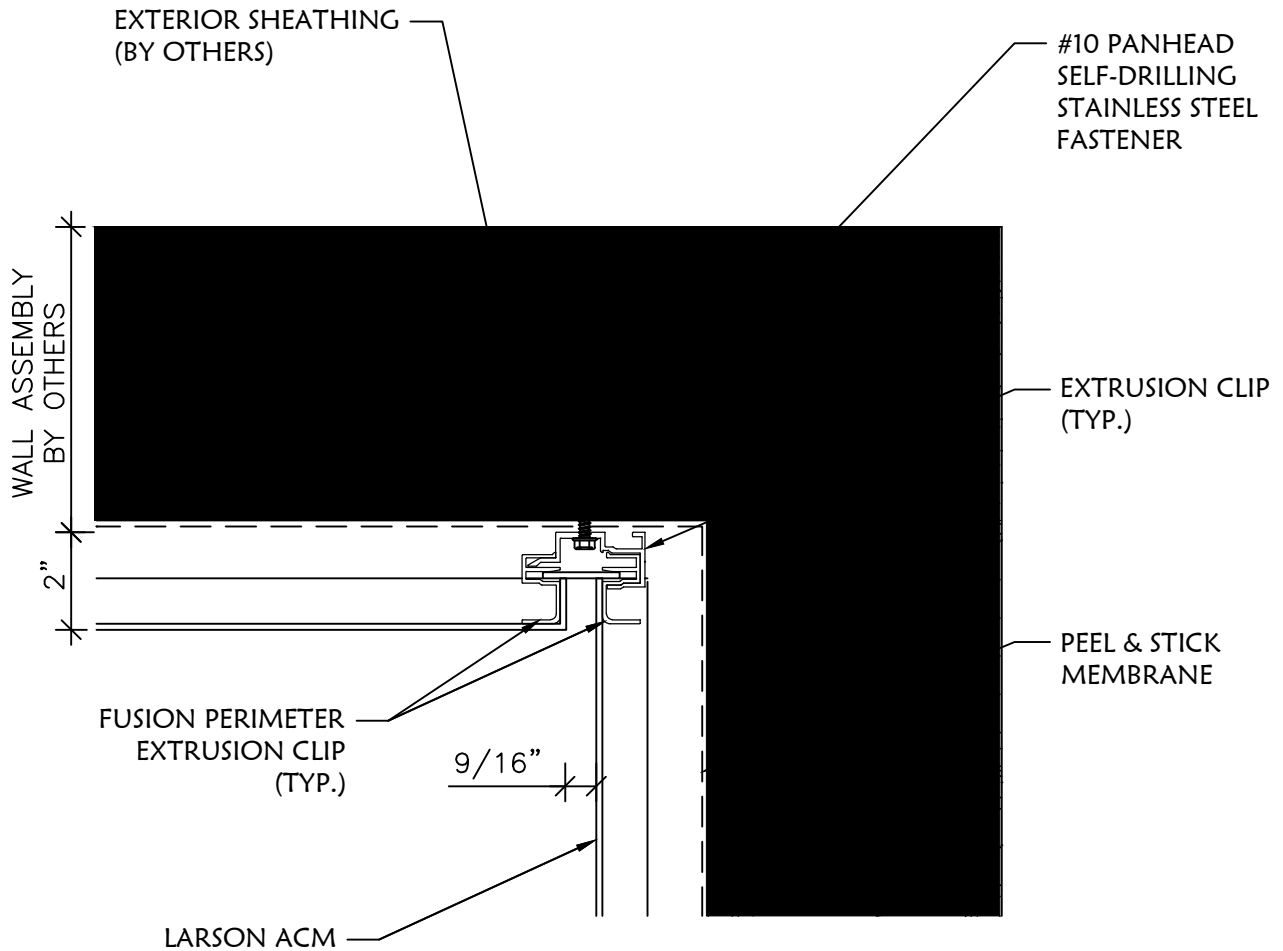
DRAWN BY: ADG DWG TITLE: VERTICAL JOINT DETAIL

PAGE NO: REV: 0

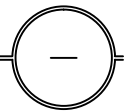
CUSTOMER:

DATE: - 22/01/2016

CF-F07



PLAN DETAIL



PROJECT NO. FUSION PROJECT NAME: FUSION PANEL SYSTEM

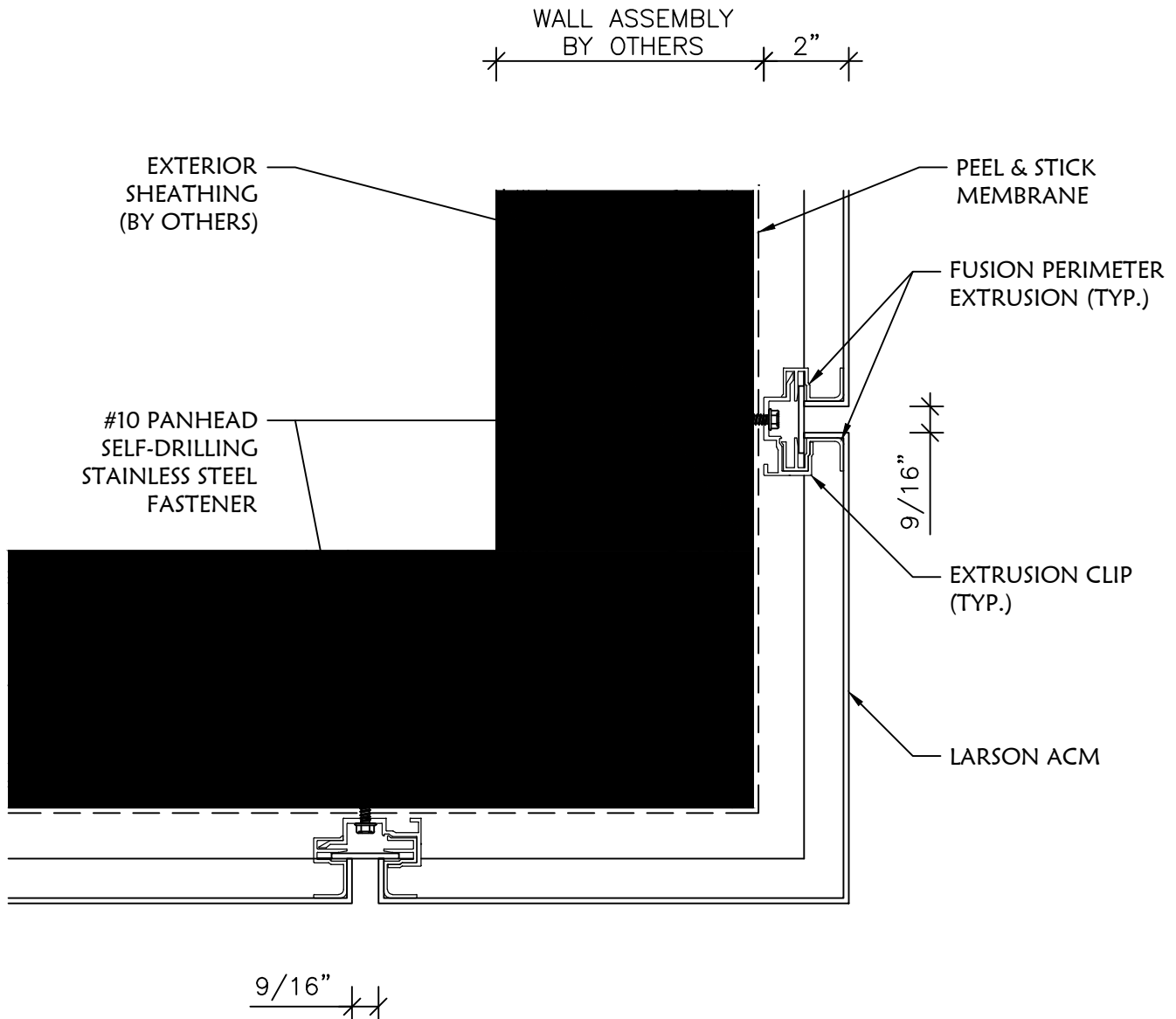
DRAWN BY: ADG DWG TITLE: INSIDE CORNER DETAIL

PAGE NO: REV: 0

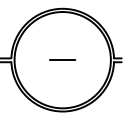
CUSTOMER:

DATE: - 22/01/2016

CF-F08



PLAN DETAIL



PROJECT NO. FUSION PROJECT NAME: FUSION PANEL SYSTEM

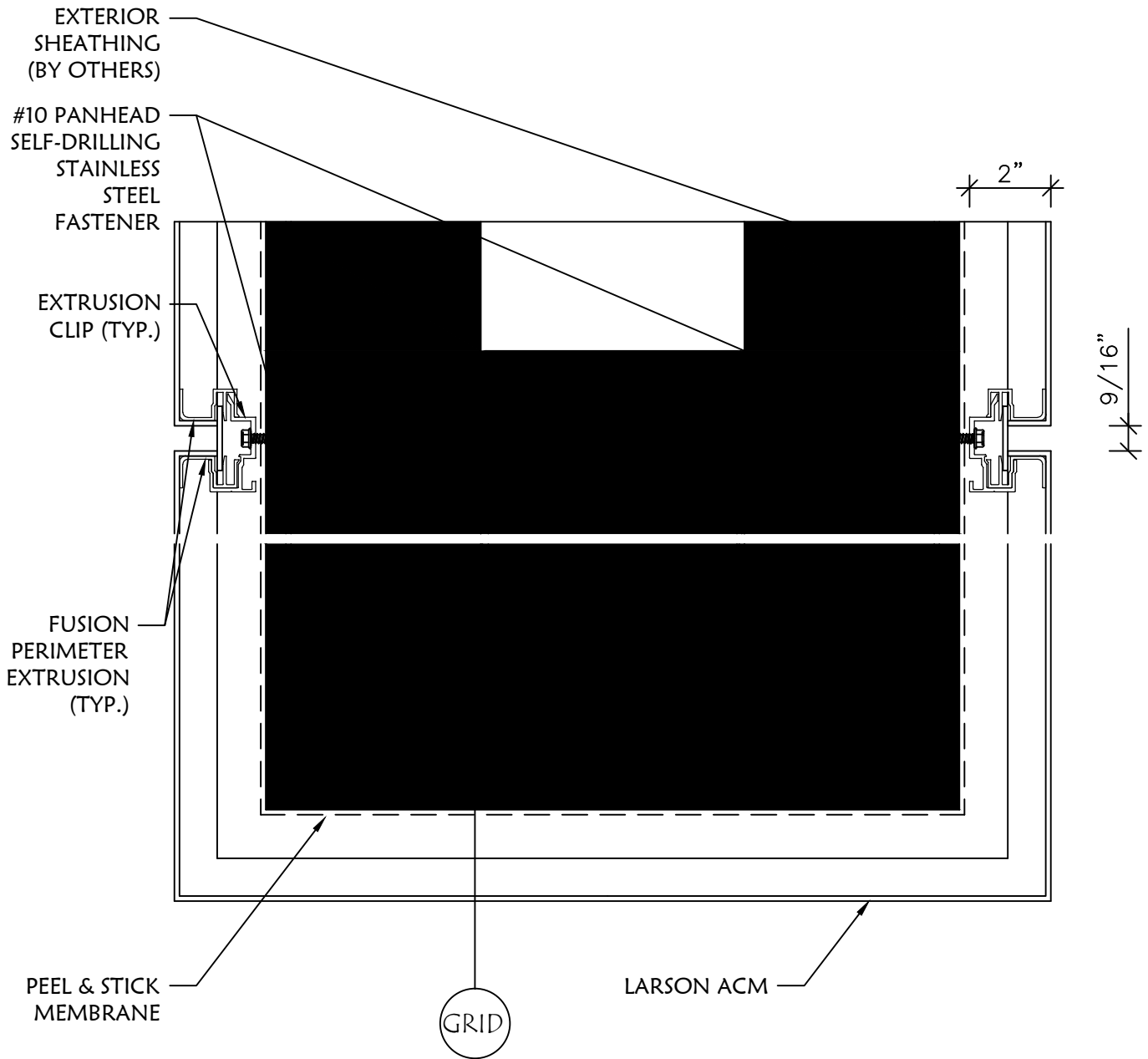
DRAWN BY: ADG DWG TITLE: OUTSIDE CORNER DETAIL

PAGE NO: REV: 0

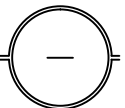
CUSTOMER:

DATE: - 22/01/2016

CF-F09



PLAN DETAIL



PROJECT NO. FUSION PROJECT NAME: FUSION PANEL SYSTEM

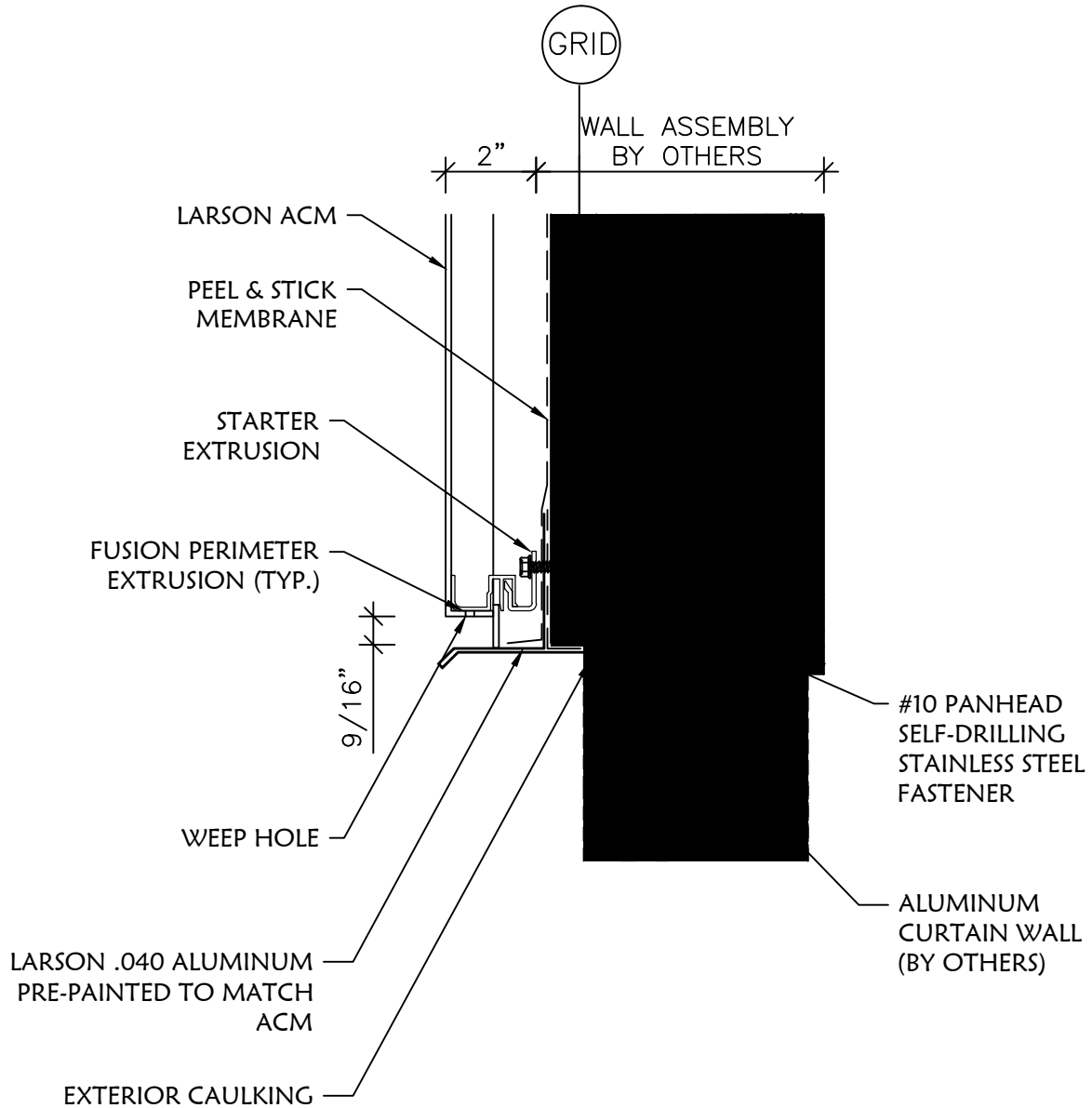
DRAWN BY: ADG DWG TITLE: COLUMN DETAIL

PAGE NO: REV: 0

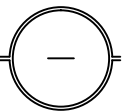
CUSTOMER:

DATE: - 22/01/2016

CF-F 10



SECTION DETAIL



PROJECT NO. **FUSION** PROJECT NAME: **FUSION PANEL SYSTEM**

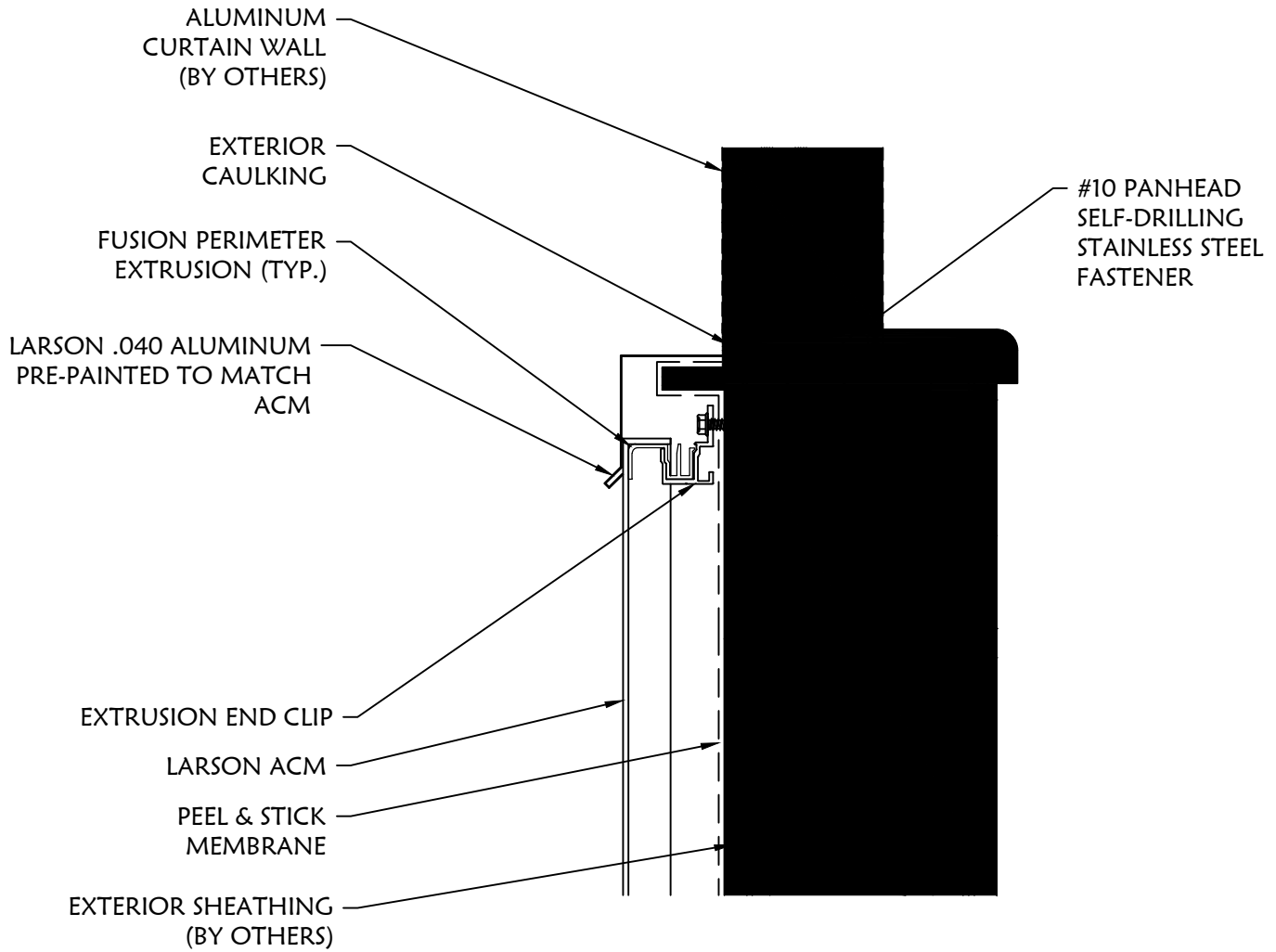
DRAWN BY: **ADG** DWG TITLE: **HEAD DETAIL**

PAGE NO: REV: **0**

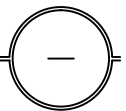
CUSTOMER:

DATE: - 22/01/2016

CF-F 1 1



SECTION DETAIL



PROJECT NO. FUSION PROJECT NAME: FUSION PANEL SYSTEM

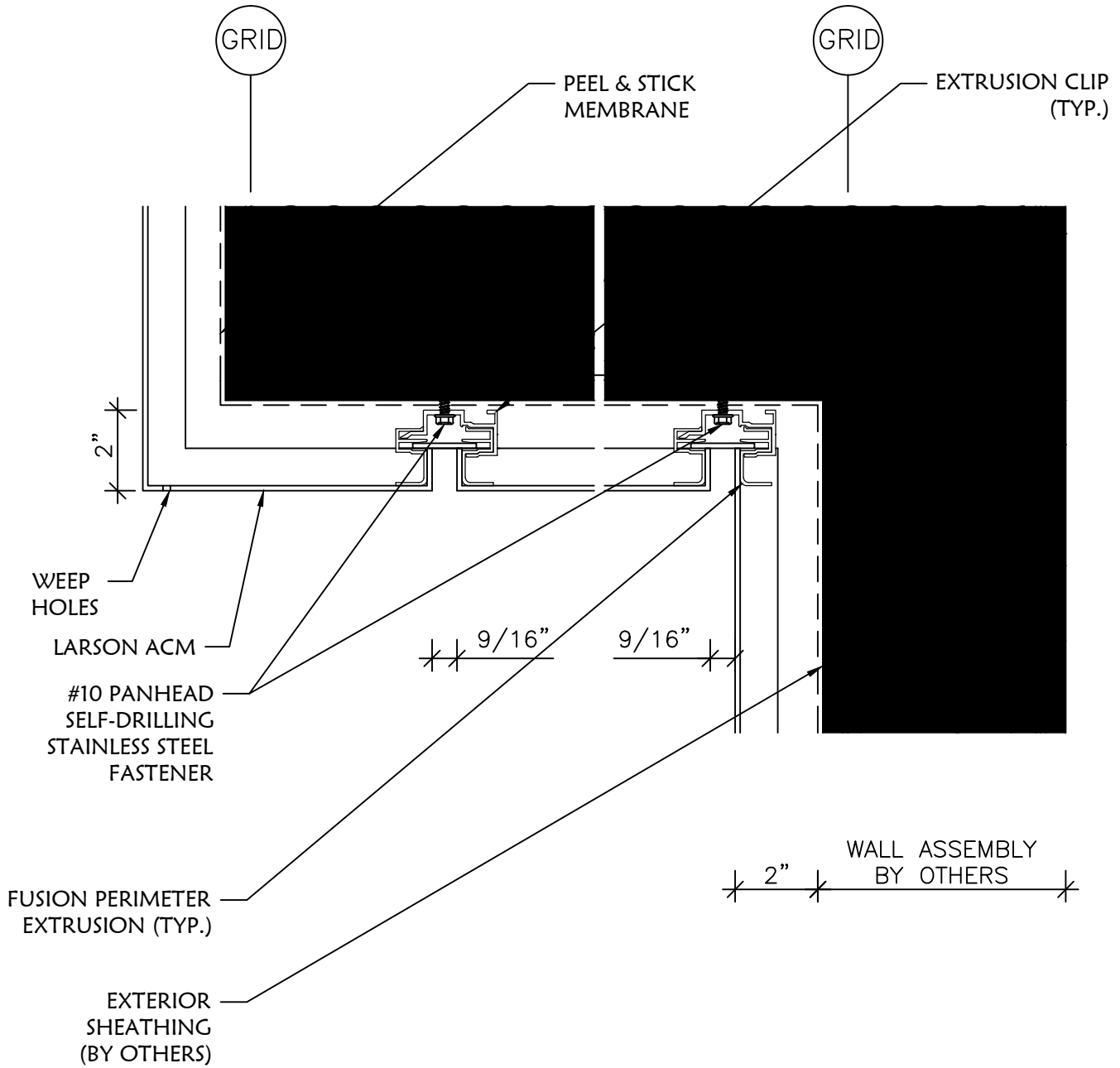
DRAWN BY: ADG DWG TITLE: SILL DETAIL

PAGE NO: REV: 0

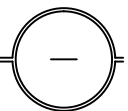
CUSTOMER:

DATE: - 22/01/2016

CF-F12



SECTION DETAIL



PROJECT NO. FUSION PROJECT NAME: FUSION PANEL SYSTEM

DRAWN BY: ADG DWG TITLE: SOFFIT DETAIL

PAGE NO: REV: 0

CUSTOMER:

DATE: - 22/01/2016

CF-F 13